



TRENCH SHIELD TECHNICAL DATA SHEET

DATE: May 8, 2015

SUBJECT: Plywood End Loading Protection for Trench Shields.

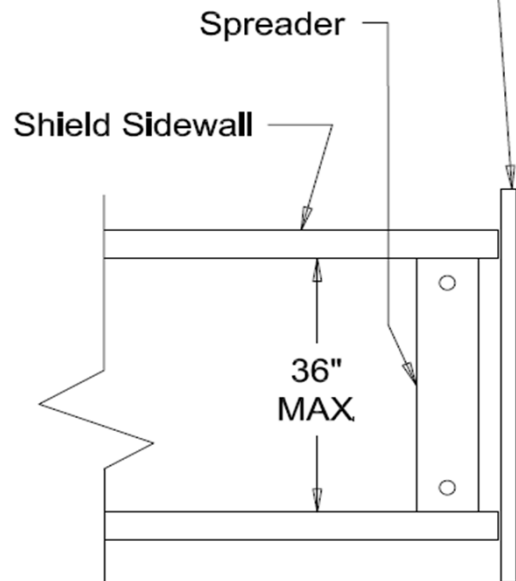
This Technical Data Sheet is an addition to **PRO-TEC's Tabulated Data for Trench Shields**

General Notes:

Plywood may be utilized to create end protection for PRO-TEC Trench Shields provided that the following conditions are met:

1. The Plywood bears against the ends of the walls of the Trench Shield perpendicular to it and does **not** bear against the spreader pipes and has a maximum clearspan width of 36-inches as shown in Fig.(1.1).
2. The Plywood is securely fastened to the Trench Shield and is backfilled against at least 2/3 of its height to prevent lateral movement.
3. The Plywood shall be 3/4" thick HDO – American Plywood Association, high density overlay exterior or equivalent.
4. The maximum depth of the excavation shall **not exceed 8-ft.** and the soil is classified as **C80** soil in accordance with the Tabulated Data of the Trench Shields utilized in the application.

3/4" thick HDO – American Plywood Association, high density overlay exterior



TOP VIEW
FIG (1.1)



TRINITY SHORING PRODUCTS, INC.
A TRINITY MINING & CONSTRUCTION EQUIPMENT, INC. COMPANY



Pro - Tec Equipment
4837 W. Grand River Ave.
Lansing, MI 48906
Phone 517 - 827 - 3250