



3" Dual Action Manhole Shore

The Pro-Tec Equipment 3" Dual Action Manhole shore is a hydraulic bracing system designed to bridge the gap between our Manhole Brace and the Pro-Brace System.

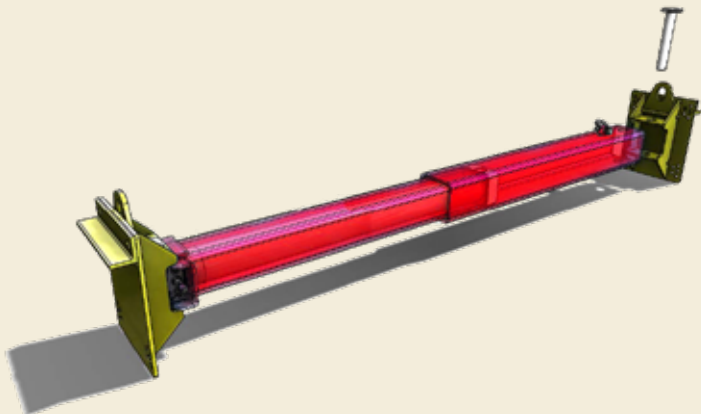
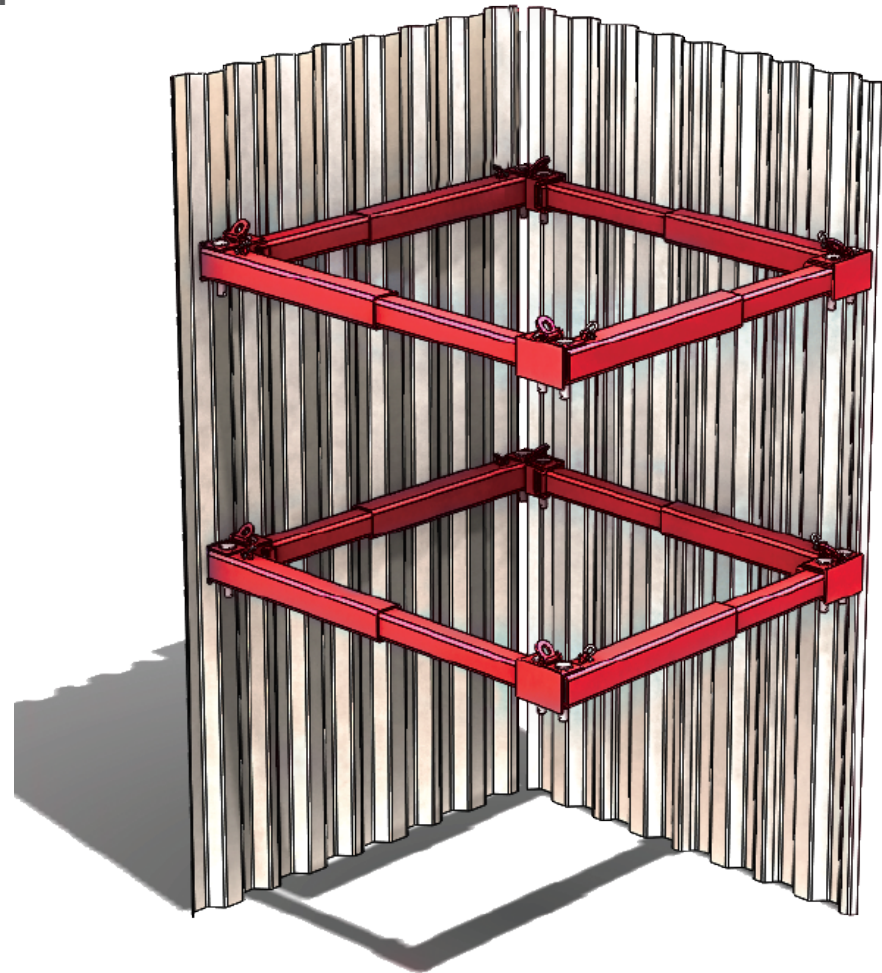
Designed and engineered to work in 2- and 4-sided applications, the 3" Dual Action Manhole Shore is able to incorporate a variety of sheeting materials, including the Pro-Tec Equipment Steel Overlap Sheeting, making the system ideal for vaults, C.I.P. projects, pump stations and many more projects.

Standard features:

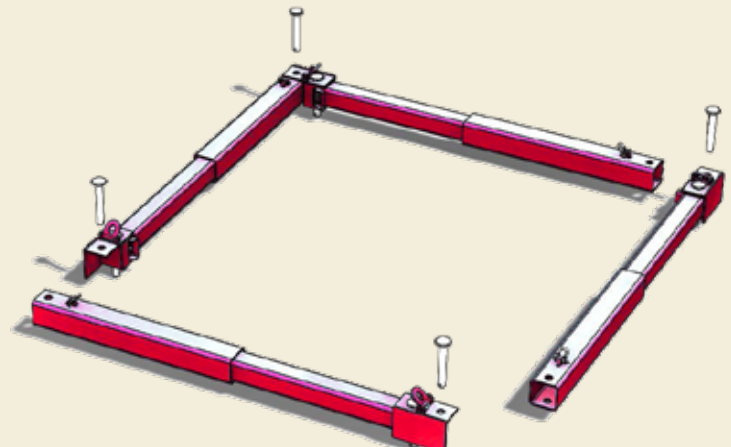
- 3" Steel dual action hydraulic cylinders
- 3' Stoke
- Minimum size of 5.5'
- 2-way brackets for two sided systems
- Corners for 4-sided applications

Options:

- Pin-on Steel Tube Extensions
- Extension ranges up to 21'



Two-Sided System



Four-Sided System

FOUR SIDED PIT

4' O.C. VERTICAL SPACING OF BRACING

MAX SPAN (FEET)	MAXIMUM DEPTH OF EXCAVATION (FEET)			
	A	B	C-60	C-80
7	30.0	25.0	25.0	10.0
8	30.0	25.0	25.0	10.0
9	30.0	25.0	25.0	10.0
10	30.0	25.0	25.0	10.0
11	30.0	25.0	25.0	10.0
12	30.0	25.0	25.0	10.0
13	30.0	25.0	24.2	10.0
14	30.0	25.0	22.1	10.0
15	30.0	25.0	20.3	10.0
16	30.0	23.7	18.8	10.0
17	30.0	22.0	17.5	10.0
18	30.0	20.4	16.3	10.0
19	30.0	18.6	15.0	10.0
20	27.6	17.1	13.8	10.0
21	25.3	15.8	12.9	10.0
22	23.4	14.8	12.1	10.0
23	21.6	13.8	11.3	9.5
24	20.1	12.9	10.7	9.0

3' O.C. VERTICAL SPACING OF BRACING

MAX SPAN (FEET)	MAXIMUM DEPTH OF EXCAVATION (FEET)			
	A	B	C-60	C-80
7	30.0	25.0	25.0	10.0
8	30.0	25.0	25.0	10.0
9	30.0	25.0	25.0	10.0
10	30.0	25.0	25.0	10.0
11	30.0	25.0	25.0	10.0
12	30.0	25.0	25.0	10.0
13	30.0	25.0	25.0	10.0
14	30.0	25.0	25.0	10.0
15	30.0	25.0	24.7	10.0
16	30.0	25.0	22.7	10.0
17	30.0	25.0	21.0	10.0
18	30.0	24.9	19.4	10.0
19	30.0	22.5	17.6	10.0
20	30.0	20.5	16.1	10.0
21	30.0	18.8	14.8	10.0
22	28.9	17.4	13.8	10.0
23	26.5	16.0	12.8	10.0
24	24.5	14.9	11.9	9.7

TWO SIDED TRENCH

4' O.C. VERTICAL SPACING OF BRACING

MAX SPAN (FEET)	MAXIMUM DEPTH OF EXCAVATION (FEET)			
	A	B	C-60	C-80
7	30.0	25.0	25.0	10.0
8	30.0	25.0	25.0	10.0
9	30.0	25.0	25.0	10.0
10	30.0	25.0	25.0	10.0
11	30.0	25.0	25.0	10.0
12	30.0	25.0	25.0	10.0
13	30.0	25.0	25.0	10.0
14	30.0	25.0	25.0	10.0
15	30.0	25.0	23.6	10.0
16	30.0	25.0	21.8	10.0
17	30.0	25.0	20.3	10.0
18	30.0	23.3	18.5	10.0
19	30.0	21.2	16.9	10.0
20	30.0	19.6	15.7	10.0
21	29.2	18.0	14.5	10.0
22	27.0	16.8	13.6	10.0
23	25.0	15.7	12.8	10.0
24	23.2	14.7	12.0	10.0

3' O.C. VERTICAL SPACING OF BRACING

MAX SPAN (FEET)	MAXIMUM DEPTH OF EXCAVATION (FEET)			
	A	B	C-60	C-80
7	30.0	25.0	25.0	10.0
8	30.0	25.0	25.0	10.0
9	30.0	25.0	25.0	10.0
10	30.0	25.0	25.0	10.0
11	30.0	25.0	25.0	10.0
12	30.0	25.0	25.0	10.0
13	30.0	25.0	25.0	10.0
14	30.0	25.0	25.0	10.0
15	30.0	25.0	25.0	10.0
16	30.0	25.0	25.0	10.0
17	30.0	25.0	24.7	10.0
18	30.0	25.0	22.3	10.0
19	30.0	25.0	20.2	10.0
20	30.0	23.7	18.6	10.0
21	30.0	21.7	17.0	10.0
22	30.0	20.0	15.8	10.0
23	30.0	18.6	14.7	10.0
24	28.6	17.2	13.7	10.0



PRO-TEC EQUIPMENT

4837 West Grand River Ave
 Lansing, MI 48906
 Phone: 1-800-292-1225
 Fax: (517) 827-3263
www.pro-tecequipment.com

The information in this brochure is presented in good faith to assist the user in determining whether our products are suitable for his/her application. No warranty or representation, however, is intended or made, nor is protection from any law or patent to be inferred, and all patent rights are reserved. Job site photos are strictly intended for general product information only and may not comply with all applicable safety standards. Always refer to manufacturer's specific tabulated data, O.S.H.A. 29 CFR 1926 Subpart P for excavation and all applicable safety standards prior to each use. ©2018 Pro-Tec Equipment. All rights reserved.

