



TRENCH SHIELD TECHNICAL DATA SHEET

DATE: June 8, 2016

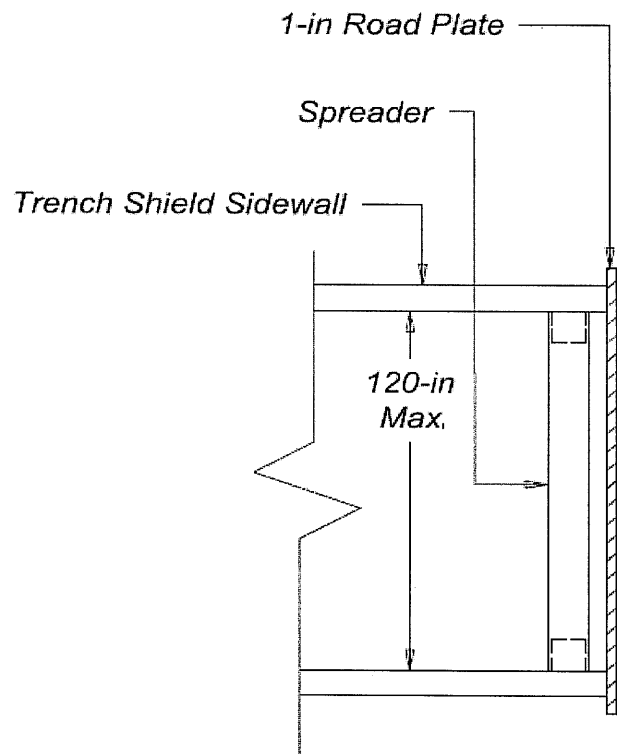
SUBJECT: Plate End Loading Protection

This Technical Data Sheet is a addition to PRO-TEC's Tabulated Data for Trench Shields

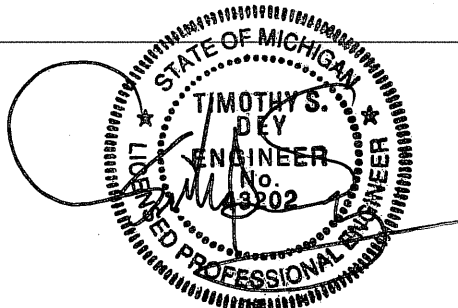
General Notes:

Road Plate may be utilized to create end protection for PRO-TEC Trench Shields provided that the following conditions are met:

1. The Road Plate bears against the ends of the walls of the Trench Shield perpendicular to it and does **not** bear against the spreader pipes and has a maximum clearspan width of 120-inches as shown in Fig.(1-1). Blocking may be provided to prevent contact between the Road Plate and spreaders.
2. The Road Plate is securely fastened to the Trench Shield and is backfilled against at least 2/3 of its height to prevent lateral movement.
3. The Road Plate shall have a minimum thickness of 1-in. and shall have a minimum yield strength of **Fy = 36 ksi**.
4. The maximum depth of the excavation shall **not exceed 10-ft.** and the soil is classified as **C60** soil in accordance with the Tabulated Data of the Trench Shields utilized in the application.



Top View
Fig (1.1)



TRINITY SHORING PRODUCTS, INC.

A TRINITY MINING & CONSTRUCTION EQUIPMENT, INC. COMPANY



Pro - Tec Equipment
4837 W. Grand River Ave.
Lansing, MI 48906
Phone 517 - 827 - 3250